

# Rule Next Generation Bilge Pumps

Nominal GPH/ LPH	Model No.	Volts	Amps @ 12V	Amps @ 13.6V	Ports	Check Valve	Hose Dia.	UPC
360(1363)	24DA	12 DC	2.1 (12V)	2.4 (13.6V)	YES	YES	3/4" (19mm)	042237-104700
500(1890)	25DA	12 DC	1.6 (12V)	1.8 (13.6V)	YES	YES	3/4" (19mm)	042237-104717
500(1890)	25DA-24	24 DC	0.8 (24V)	0.9 (27.2V)	YES	YES	3/4" (19mm)	042237-104748
800(3028)	20DA	12 DC	3.4 (12V)	4.3 (13.6V)	YES	YES	3/4" (19mm)	042237-104694
800(3028)	20DA-24	24 DC	1.7 (24V)	2.2 (27.2V)	YES	YES	3/4" (19mm)	042237-104755
1100(4164)	27DA	12 DC	3.7 (12V)	4.7 (13.6V)	YES	YES	1" (25mm) AND	042237-104724
1100(4164)	27DA-24	24 DC	1.9 (24V)	2.4 (27.2V)	YES	YES	1-1/8" (29mm)	042237-104762

**360/500 GPH**  
**(1363/1893 LPH)**

\* 3.9" (99mm)

0.7 lbs (0.32kg)

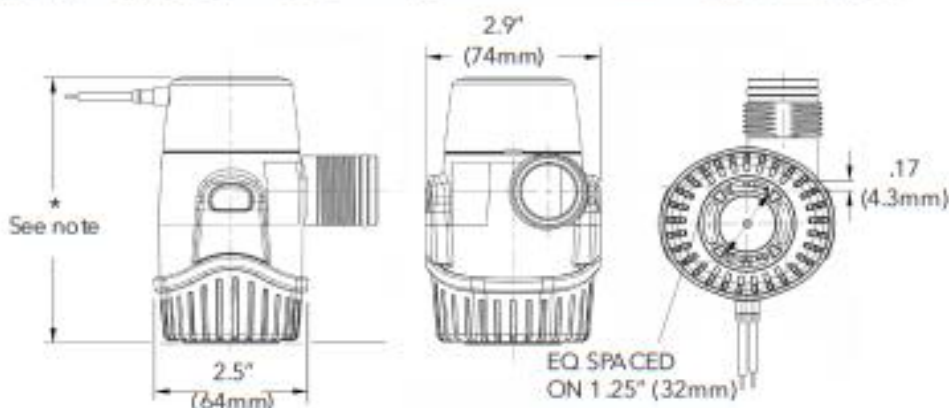
**800/1100 GPH**  
**(3028/4164 LPH)**

\* 4.4" (111mm)

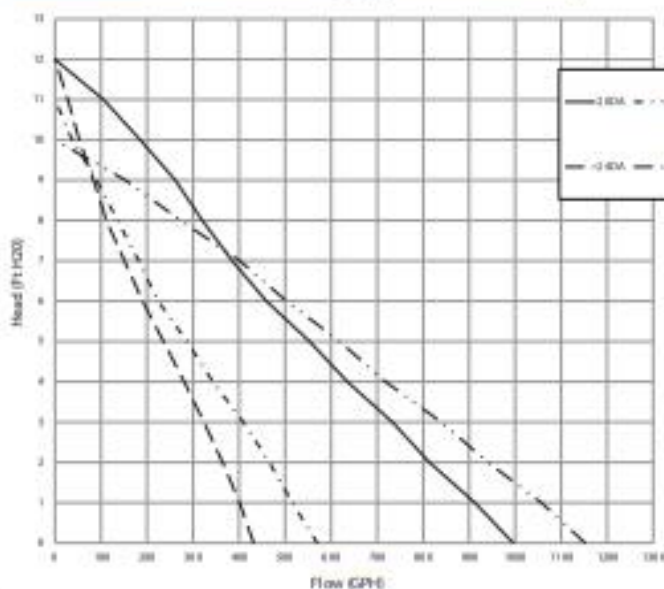
0.85 lbs (0.39kg)



Check Valve Included



## Performance at Rated Voltage (12 or 24 Volts)



## Extra Spare Parts

Description	Model No.
360/500 3/4" Barbed Port	1200R
360/500 3/4" Barbed Port 90 Degree	1201R
360/500 1" Barbed Port	1202R
800/1100 3/4" Barbed Port 90 Degree	1203R
800/1100 3/4" Barbed Port	1204R
800/1100 1" Barbed Port 90 Degree	1205R
800/1100 1" Barbed Port	1206R
800/1100 1-1/8" Barbed Port 90 Degree	1207R
800/1100 1-1/8" Barbed Port	1208R
360/500 3/4" Check Valve	1220R
800/1100 3/4" Check Valve	1221R
800/1100 1" Check Valve	1222R
800/1100 1-1/8" Check Valve	1223R



**xylem**  
Let's Solve Water

Warranty: All products of the company are sold and all services of the company are offered subject to the company's warranty and terms and conditions of sale, copies of which will be furnished upon request. The information provided herein is for guidance only; it does not constitute a guarantee of the performance or specification of any individual product or component.

marine.xylem.com

### USA

Xylem Inc.  
100 Cummings Center  
Suite 535N Beverly MA, 01915  
Tel: (978) 281-0440  
Fax: (978) 283-2619

### UK

Xylem Inc.  
Bingley Road, Hudderson  
Hertfordshire EN11 0BU  
Tel: +44 (0) 1992 450145  
fax: +44 (0) 1992 467332

### GERMANY

Xylem Inc.  
Otstrasse 28  
22844 Nordstedt  
Tel: +49 40 53 53 73 0  
Fax: +49 40 53 53 73 11

### PHILIPPINES

Xylem Inc.  
12 Ring Road, USP II  
Brgy. Lamesa, Calamba City 4027  
Tel: 63 (49) 5434341  
Fax: 63 (49) 5456817

### CHINA

Xylem Inc.  
30/F Tower A, 100 Zuyi Road  
Shanghai, China 200051  
Tel: +86 21 2208 2888  
Fax: +86 21 2208 2999

### ITALY

Xylem Inc.  
Via Tommaso, 6 20059  
Vimercate, Milano  
Tel: +39 039 685 2323  
Fax: +39 039 666 307